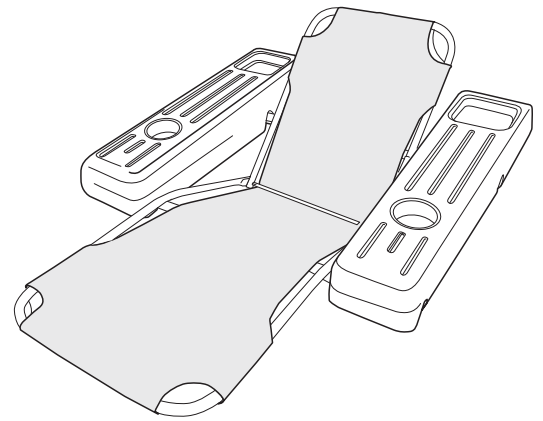


# Caribbean Floating Lounge Assembly Instructions

## 70727/70733

**POOLMASTER®**

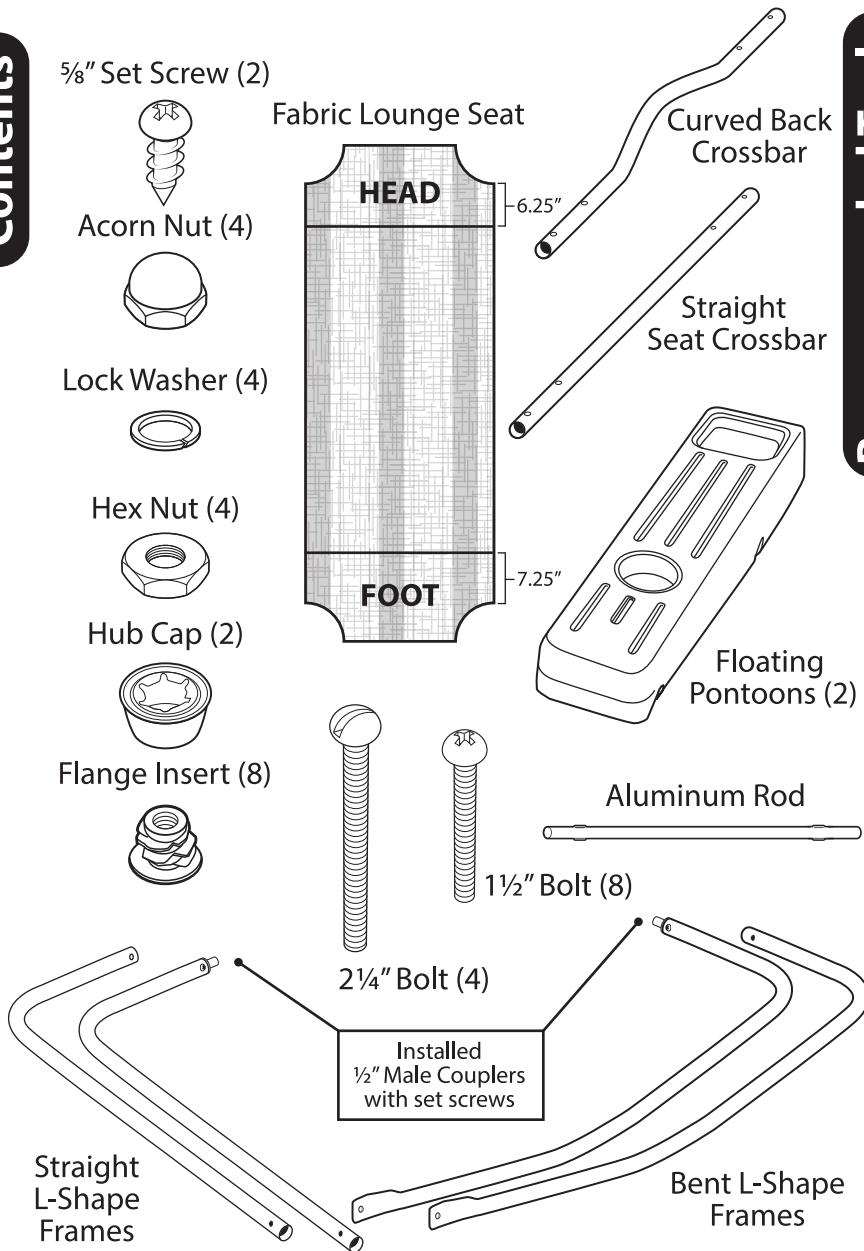
770 Del Paso Road  
Sacramento, CA 95834-0308



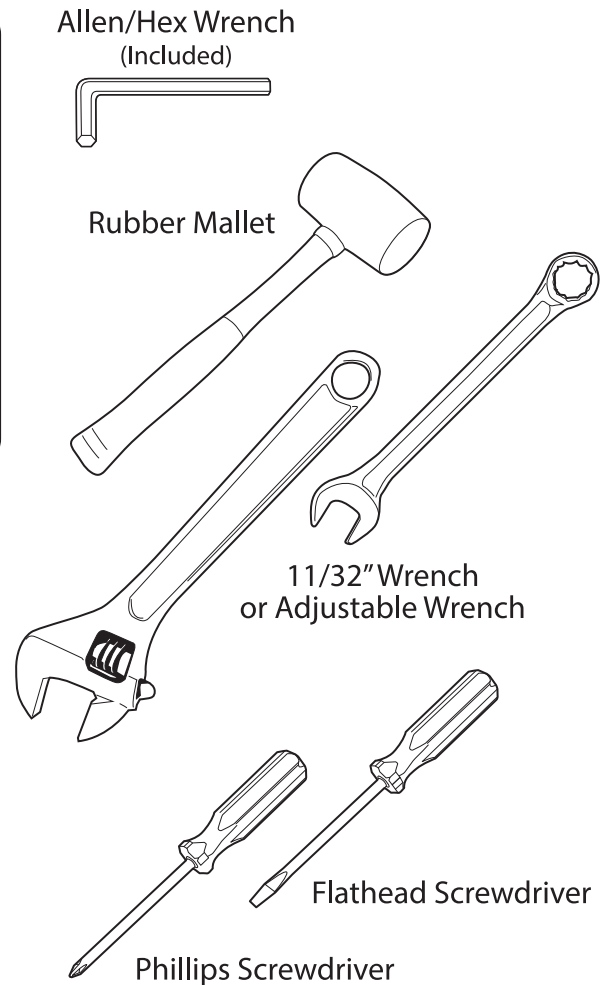
## Read Me First

1. Use the following Parts Checklist to identify all the parts.
2. Follow the simple Assembly Instructions.
3. Observe Product Care and Storage suggestions for fun and safety.

### Contents



### Recommended Tools



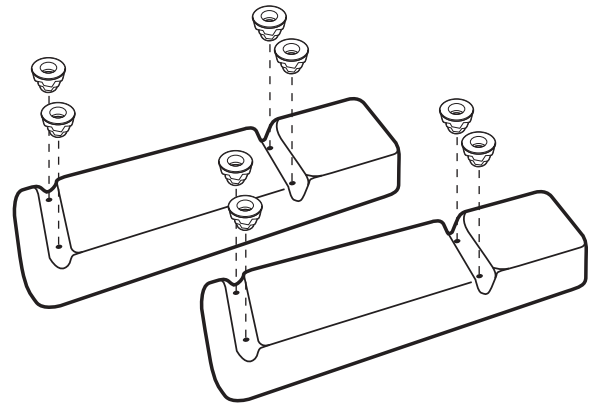
Questions or comments? Call:  
**800.854.1492**  
poolmaster.com  
info@poolmaster.com

727-4-7

## Step 1

### PREPARING THE FLOATING PONTOONS

- Turn the floats upside down.
- Insert the FLANGE INSERTS into the pre-formed holes located on the underside of each of the FLOATING PONTOONS. 8 FLANGE INSERTS total to be installed.
- Use the Allen/Hex Wrench and tighten by turning in a clockwise direction.  
(The Flanges are self-tapping and require no pre-drilling of the holes.)

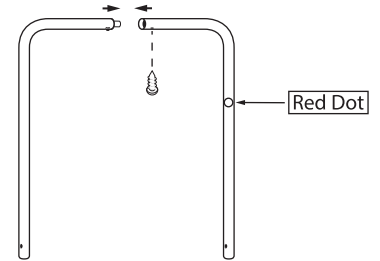


Before the main assembly begins, pay attention to the instructions where it notes that the **RED DOTS located on the BACK SEAT FRAME and CROSSBARS MUST all be aligned and assembled together on the same side or your assembly will not work.** Please visit [Poolmaster.com](http://Poolmaster.com) and search for 70727 for a link to the Assembly Video for visual direction.

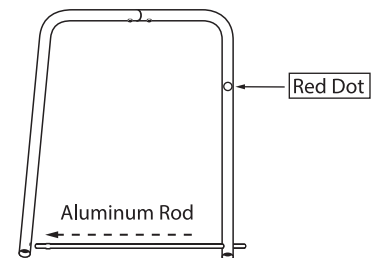
## Step 2

### BACK FRAME ASSEMBLY

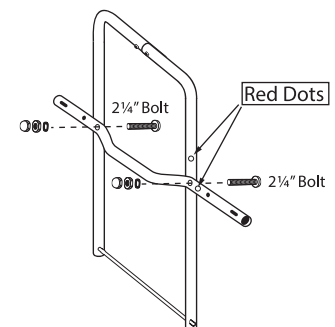
- Lay out on a flat surface the (2) STRAIGHT L-SHAPED FRAME pieces and insert together as shown in this orientation.
- You may need to use a mallet to ensure that the two pieces are flush together and fully inserted into each other. Secure with (1) SET SCREW as shown.



- Insert the ALUMINUM ROD into the pre-drilled holes on the ends of the BACK FRAME as shown.



- Take the CURVED BACK CROSSBAR and **BEFORE ATTACHING to the top of the back frame**, make sure you attach the side of the CROSSBAR with the RED DOT to the side of the BACK FRAME with the RED DOT and that they are BOTH aligned on the SAME SIDE. The curve of the CROSSBAR should be facing you and should be attached on top of the frame.

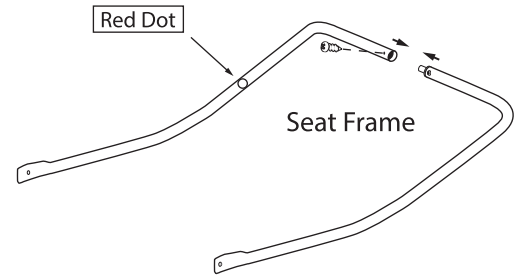


- Make sure that the bolts are inserted from the back of the BACK FRAME through the CURVED BACK CROSSBAR, as shown.
- Secure the FRAME and CROSSBAR together LOOSELY using (2) 2 1/4" bolts, (2) washers, (2) hex nuts, and (2) acorn nuts as shown
- Once both sides are loosely secured, go back and tighten the nuts.

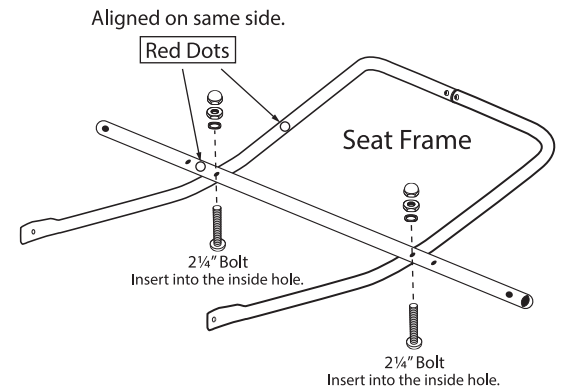
**Step 3**

**SEAT FRAME ASSEMBLY**

- Lay out on a flat surface the (2) BENT L-SHAPED FRAME pieces and insert together.
- You may need to use a mallet to ensure that the two pieces are flush together and fully inserted into each other. Secure with (1) SET SCREW as shown.

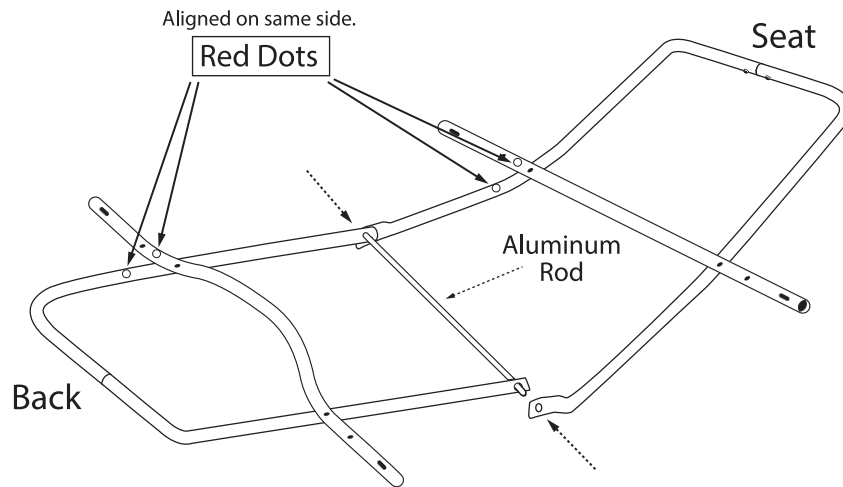


- Take the STRAIGHT SEAT CROSSBAR and **BEFORE ATTACHING to the top of the seat frame**, make sure you attach the side of the CROSSBAR with the RED DOT to the side of the SEAT FRAME with the RED DOT and that they are BOTH aligned on the SAME SIDE.



- Make sure that the bolts are inserted from the back of the SEAT FRAME through the CROSSBAR, as shown.
- Secure the FRAME and CROSSBAR together LOOSELY using (2) 2 1/4" bolts, (2) washers, (2) hex nuts, and (2) acorn nuts as shown.
- Once both sides are loosely secured, go back and tighten the nuts.

- Attach the ends of the assembled seat frame over the ends of the aluminum rod on the back frame.
- Make sure the red dots are aligned on the same side with crossbars on top of the frames.

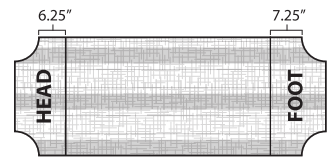


CONGRATULATIONS! YOUR FULLY ASSEMBLED SEAT FRAME IS COMPLETE!  
**BEFORE PROCEEDING TO THE NEXT STEPS**  
 DOUBLE CHECK THAT ALL THE RED DOTS ARE ON THE SAME SIDE

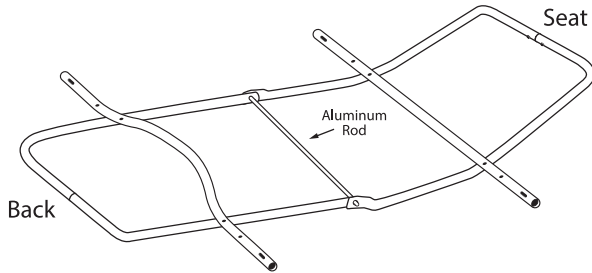
**Step 4**

**ATTACHING THE FABRIC LOUNGE SEAT**

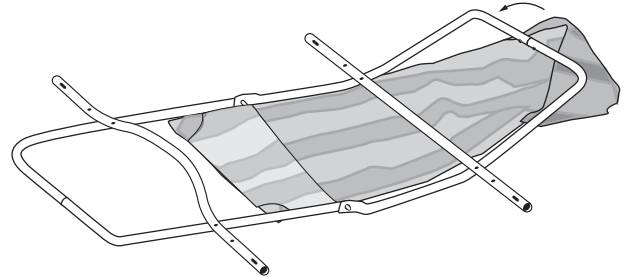
- Take the FABRIC LOUNGE SEAT and notice that both ends have pockets labeled HEAD and FOOT. Note that the FOOT pocket seam measures 7.25" and the HEAD pocket seam measures 6.25".



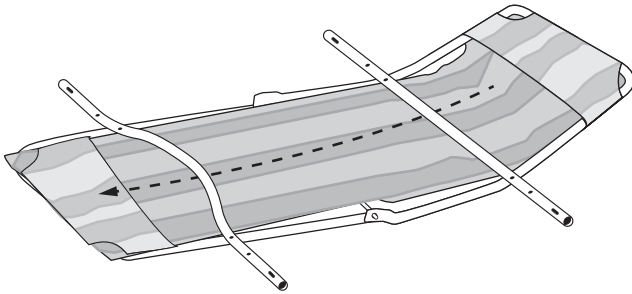
**1.** Lay frame face down with curve bending upward



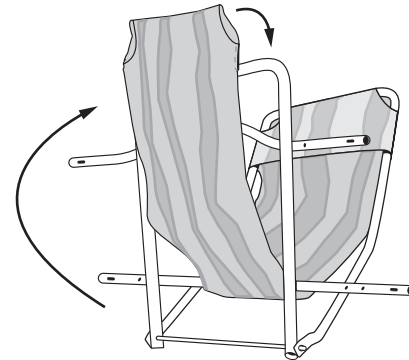
**2.** Take the FOOT pocket and insert it over the end of the CURVED SEAT portion of the assembled frame



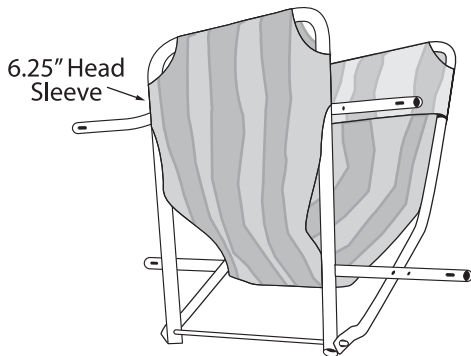
**3.** Place fabric UNDER the crossbars and OVER the aluminum rod



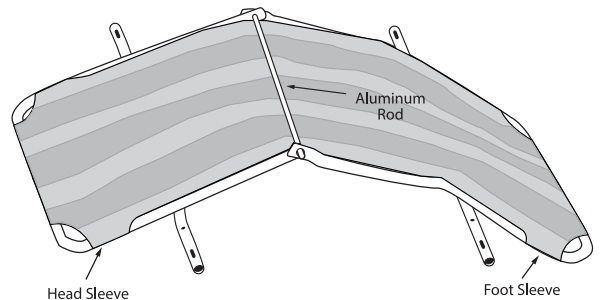
**4.** Lift back frame up with fabric to provide slack needed to insert end of frame into head pocket



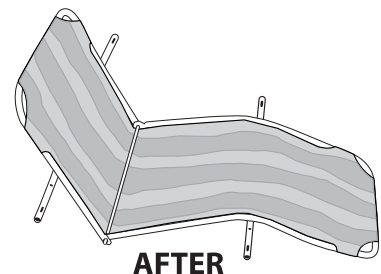
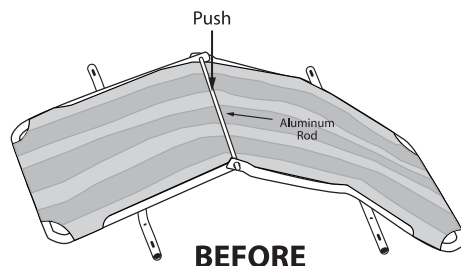
**5.** Place head sleeve on frame



**6.** Lay frame back down and turn over so Aluminum Rod is facing up



- BEFORE CONNECTING THE SEAT FRAME TO THE PONTOONS – you must turn the seat frame INSIDE OUT by pressing down HARD on the aluminum rod on the back so that the frame is inverted the opposite way as shown

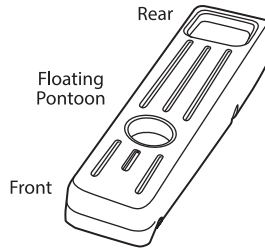


**Step 5**

**CONNECT ASSEMBLED SEAT FRAME TO PONTOONS**

• Place the pontoons on a workbench or table - **THIS IS AN IMPORTANT STEP - DO NOT IGNORE THIS!** THE TOP AND BOTTOM ENDS OF THE ASSEMBLED SEAT MUST FALL FREELY OFF THE SIDES OF A TABLE TO ALLOW FOR PROPER ALIGNMENT OF THE CROSSBARS INTO THE PONTOONS.

• Note the rear and front ends of the pontoons. The front of the pontoons have the cup holder.

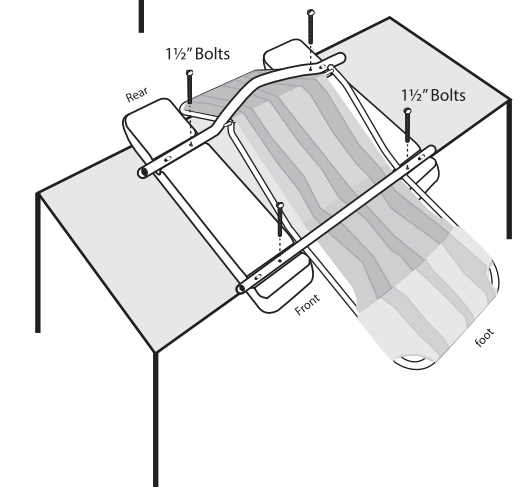
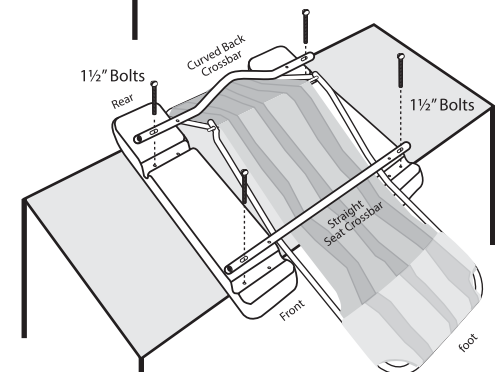
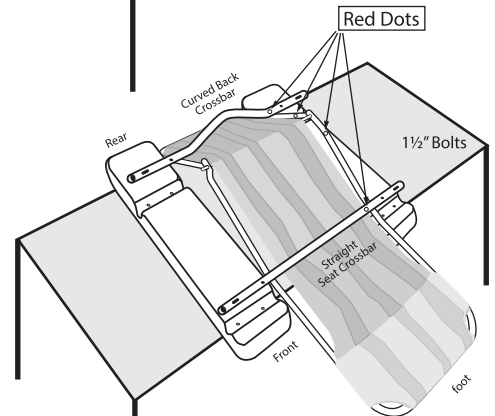
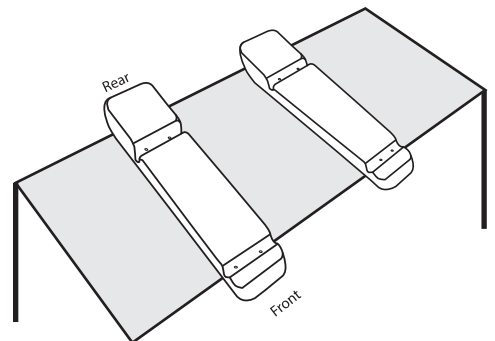
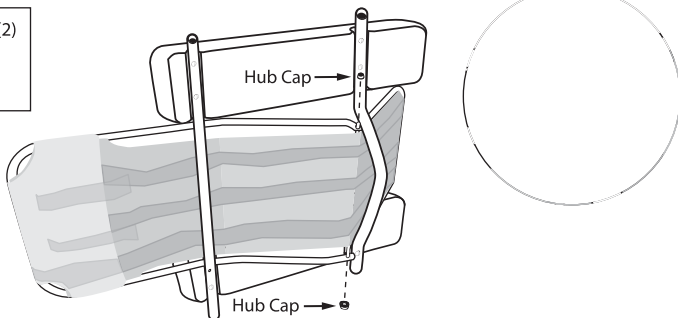


• Place the cross bars of the INVERTED SEAT FRAME into the channels on the underside of the pontoons. Make sure that the CURVED CROSS BARS are placed in the rear grooves on the pontoons and the STRAIGHT CROSS BARS are placed in the front grooves. BEFORE SECURING IN THE NEXT STEP, DOUBLE CHECK THAT ALL THE RED DOTS ON THE SEAT FRAME ARE ALIGNED ON THE SAME SIDE as shown. IF THEY ARE NOT, GO BACK TO THE SEAT FRAME ASSEMBLY STEPS TO CORRECT.

• Starting with the four holes on the outside of the cross bars insert 1½" BOLTS through the pre-drilled holes and into the previously prepared Flange Inserts These outside holes are oblong in shape and will allow you to better align all the bolts into place. Secure loosely into the flange inserts but DO NOT tighten until all bolts are in place.

• Repeat this step for the four holes closest to the seat frame using the last four 1 ½" bolts and tighten all bolts starting with these inside bolts.

• Tip the lounge onto its side and using a rubber mallet, tap the HUB CAPS into place on both ends of the Aluminum Rod as the last finishing step.



**You are now ready to enjoy your Caribbean Floating Lounge!**

## Product Care & Storage

This float is designed for comfort to lounge in the pool. Each Float is made of durable, non-corrosive materials. However, prolonged exposure to sunlight and pool chemicals can cause permanent weakening of product. To extend product enjoyment:

1. Remove from pool when not in use.
2. Rinse with plain tap water after each use.
3. Store in a dry place away from direct sunlight and pool chemicals.

## For Safety:

1. Do not jump on Lounge.
2. Keep Lounge out of rough play.
3. Make sure all nut and bolt attachments are secured. Tighten as needed.
4. Check the lounge regularly for wear and tear and rust on the hardware. Replace as needed by contacting customer service for replacement parts 1-800-854-1492.
5. Check Polyform™ Float for any water leakage. Remove Drain Plug using a 3/8 hex wrench to drain water if necessary. After draining, be sure to reinsert and secure Drain Plug.

